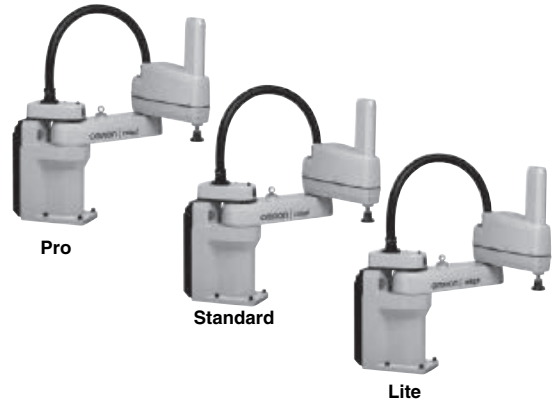


eCobra 600 Lite/Standard/Pro

Mid-size SCARA robot for precision machining, assembly, and material handling

- Ethernet capability to control the robot through the familiar programming language (IEC 61131-3) of Machine Automation controller NJ/NX series
- High repeatability suitable for material handling and precision assembly
- High payload for screw-driving tools
- The amplifier and controller built into the robot reduces the number of cables
- Choose the right robot for you application from three different types
- Reach 600 mm
- Maximum payload 5.5 kg
- Weight 41 kg
- Protection IP20
- Cleanroom class 10 option



Specifications

Product name		eCobra		
		600		
Size		600 Lite	600 Standard	600 Pro
Type				
Model		17010-16000	1711□-16000	1721□-16000
Number of axes		4	4	4
Mounting		table/floor		
Reach		600 mm		
Maximum Payload		5.5 kg		
Repeatability	XY	±0.017 mm		
	Z	±0.003 mm		
	Theta	±0.019°		
Joint Range	Joint 1	±105°		
	Joint 2	±157.5°		
	Joint 3	210 mm		
	Joint 4	±360°		
Inertia Moment (Max.)	Joint 4	450 kg-cm ²		
Joint Speeds	Joint 1	386°/s		
	Joint 2	720°/s		
	Joint 3	1100mm/s		
	Joint 4	1200°/s		
Cycle times (Payload 2.0 kg)	Burst	0.66 s *1	0.55 s *1	0.39 s *1
	Sustained	0.66 s *1	0.55 s *1	0.45 s *1
Power Requirements		24 VDC: 6 A 200 to 240 VAC: 10 A, single-phase		
Protection		IP20		
Environment Requirements	Ambient Temperature	5 to 40°C		
	Humidity Range	5 to 90% (non-condensing)		
Weight		41 kg		
Basic configuration	Controller	eAIB		
	On-board I/O (Input/Output)	12/8, 4 Solenoid Output		
	Conveyor tracking input	No		2
	RS-232C serial communications port	No	1	
	Programming environment	ACE	ACE, PackXpert, PLC	
	ACE Sight	No *2	Yes	
	ePLC Connect	No	Yes	
Connectable controller *3		No	SmartController EX, NJ/NX Series *4	

*1. Adept cycle, in mm 25/305/25 (seconds, at 20°C ambient)

*2. The SmartVision MX cannot be used with the Lite type.

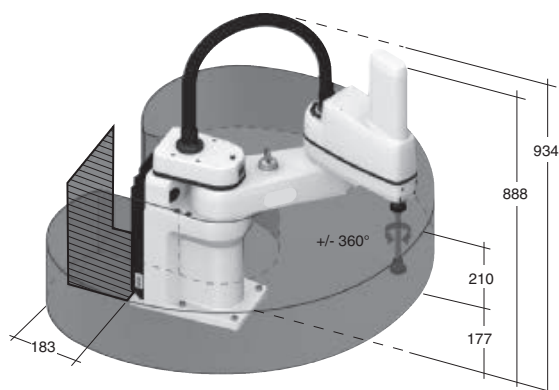
*3. Choose a controller to suit your application.

*4. The robot version 2.3.C is required to connect with the NX/NJ Series.

Dimensions

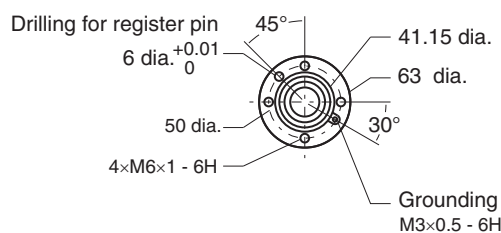
(Unit: mm)

eCobra 600

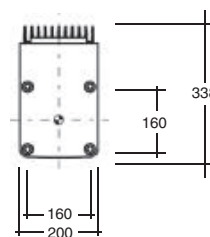


- Work Envelope: Radius 600 mm
Inner Limit: Radius 163 mm
Height: 210 mm
- Required clearance to open eAIB Chassis

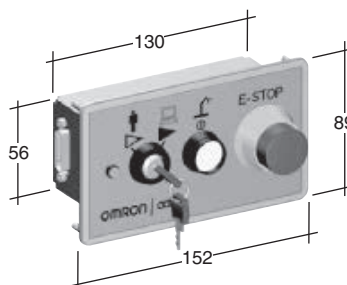
Flange



Footprint



Front panel



Robot Parts Code and Bundled Accessories

Type	eCobra	eCobra Add-On eCobra
600 Lite	17010-16000	---
eCobra 600 Standard	17111-16000	17113-16000
eCobra 600 Pro	17211-16000	17213-16000
Overview	Robot + eAIB with fully integrated controls	Robot + eAIB with required connection
Purpose	Typical for use in single robot system	Typically added to systems with an existing SmartController EX to create multi-robot systems
Bundled Accessories	<ul style="list-style-type: none"> • XSYS cable with jumpers, 2m/6ft (13323-000) • Front panel kit (90356-10358) 	<ul style="list-style-type: none"> • XSYS cable with jumpers, 2m/6ft (13323-000) • XSYS cable, 5m/15 ft (11585-000) • DB9 splitter (00411-000) • 1394 latch cable, 5m/15 ft, 13632-045) • eV+ license to connect to controller (14529-103)

Note: OMRON also provides other types of model. Ask your OMRON sales representative for details.

OMRON Corporation Industrial Automation Company

Tokyo, JAPAN

Contact: industrial.omron.eu

Regional Headquarters

OMRON EUROPE B.V.

Sensor Business Unit

Carl-Benz-Str. 4, D-71154 Nufringen, Germany
Tel: (49) 7032-811-0/Fax: (49) 7032-811-199

OMRON ELECTRONICS LLC

2895 Greenspoint Parkway, Suite 200
Hoffman Estates, IL 60169 U.S.A
Tel: (1) 847-843-7900/Fax: (1) 847-843-7787

OMRON ASIA PACIFIC PTE. LTD.

No. 438A Alexandra Road # 05-05/08 (Lobby 2),
Alexandra Technopark,
Singapore 119967
Tel: (65) 6835-3011/Fax: (65) 6835-2711

OMRON (CHINA) CO., LTD.

Room 2211, Bank of China Tower,
200 Yin Cheng Zhong Road,
PuDong New Area, Shanghai, 200120, China
Tel: (86) 21-5037-2222/Fax: (86) 21-5037-2200

Authorized Distributor:

© OMRON Corporation 2016 All Rights Reserved.
In the interest of product improvement,
specifications are subject to change without notice.

Cat. No. I261E-EN-01